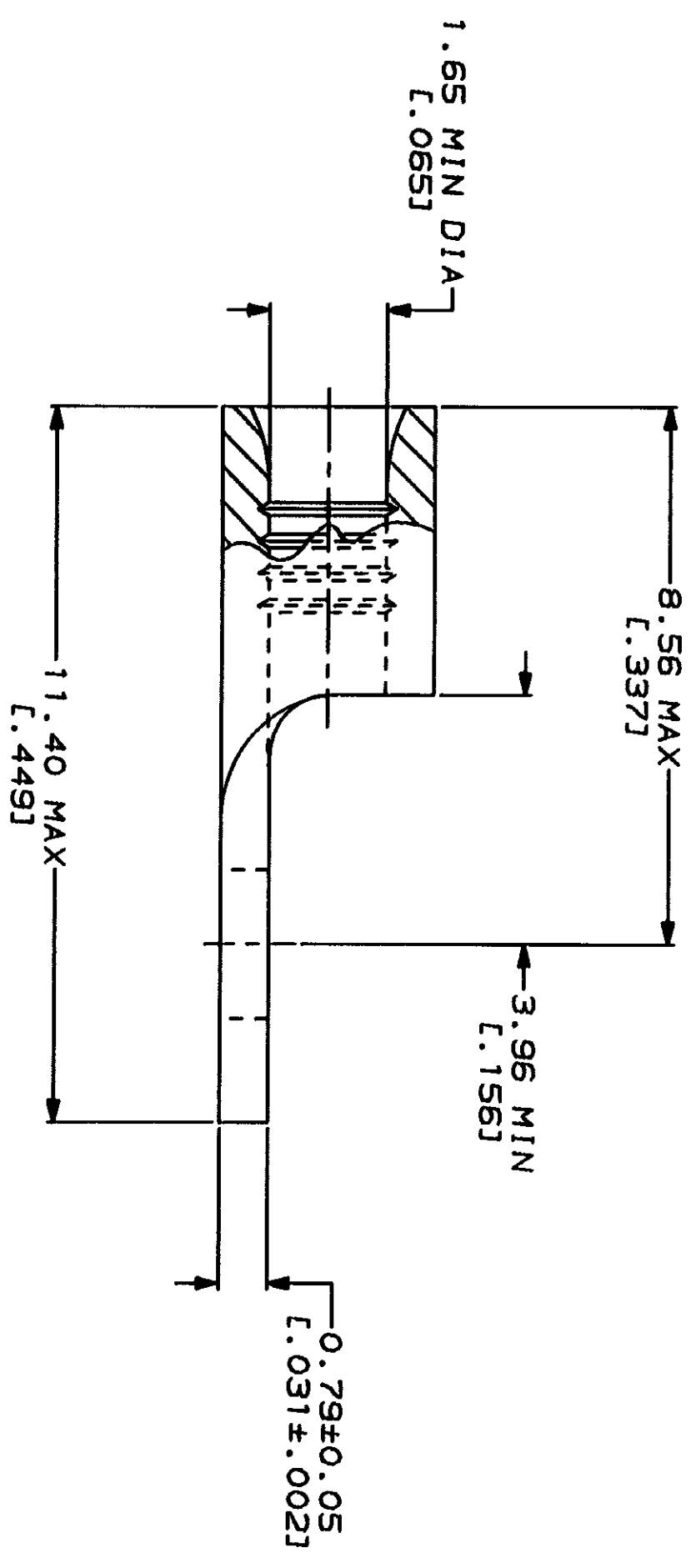
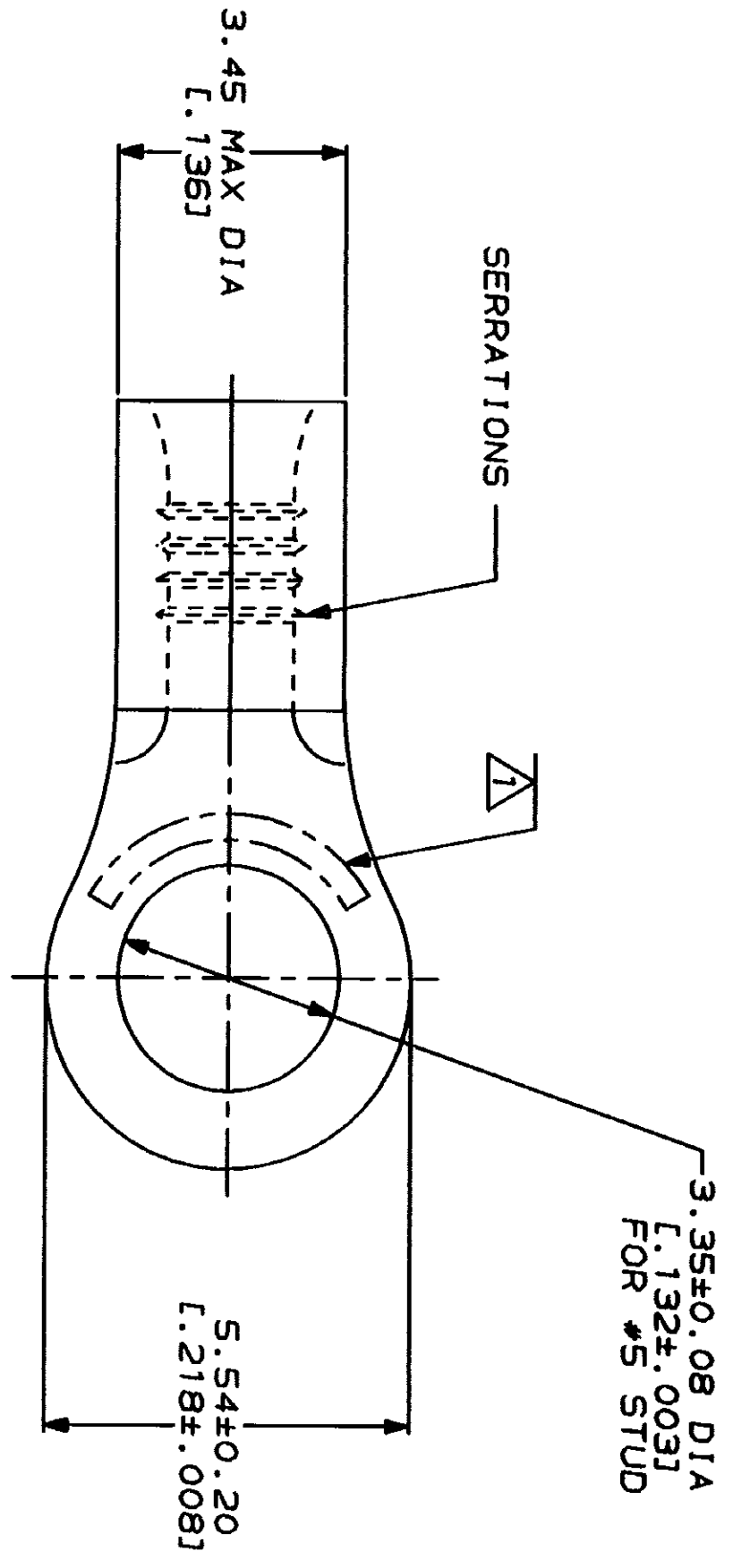


LOC	DIST	ZONE	DESCRIPTION	DATE	APPD
G	14	B	REVISED PER 0720-0230-93	2/25/94	AMP

METPRIG
DIMENSIONS LISTED IN mm [INCHES]

AMP WIRE RANGE 22-16 AWG STRANDED	UL E13288 Listed
LR7189 Certified	MILITARY P/N AND CLASS
NOT CERTIFIED	NOT APPLICABLE

⚠ STAMP AMP 22-18* APPROX AS SHOWN
22-16 TERMINALS ARE STAMPED 22-18 IN
ACCORDANCE WITH MILITARY SPEC MIL-T-7928
COMMERCIAL WIRE RANGE IS 22-16



AMP INCORPORATED
CUSTOMER SERVICE SYSTEMS

FOR ADDITIONAL PRODUCT INFORMATION OR COPIES OF DRAWINGS AND TECHNICAL DOCUMENTS	PRODUCT INFORMATION CENTER 1-800-522-6752	MAX RECOMMENDED OPERATING TEMPERATURE: 170°C MAX
FOR APPLICATION TOOLING INFORMATION	TOOLING ASSISTANCE CENTER 1-800-722-1111	VOLTAGE RATING: NOT APPLICABLE
FOR ORDER ENTRY	1-800-526-5142	WIRE CROSS SECTIONAL AREA RANGE: 0.26-1.65mm² [509-3,260] CIR MILS STRANDED

DO NOT SCALE PRINT.
UNLESS SPECIFIED
DIMENSIONS IN - DIMENSIONS -
TOLERANCES ON:
2 PLG DEC ±
3 PLG DEC ±
ANGLES ±
MATERIAL
COPPER PER
ASTM B-152
ANNEALED

DR 1-27-93 TA BRINKMAN	FINISH TIN PLATE
CHK 1-27-93 DA PATTERSON	0.00254 [L.0001001] MIN THK PER MIL-T-10727
APPD 1-27-93 DE HILLER	
APPD 1-27-93 JL MECKLEY	
PRODUCT SPEC	
APPLICATION SPEC	
WEIGHT	

TAPE MOUNTED	2-31090-1
LOOSE PIECE	31090
SUPPLIED AS	PART NO

AMP AMP Incorporated
Harrisburg, PA 17105-3608

TERMINAL, RING TONGUE,
BUDGET

SIZE	CAGE CODE	DRAWING NO
SCALE 10:1	00779	31090
		SHEET 1 OF 1

CUSTOMER DRAWING